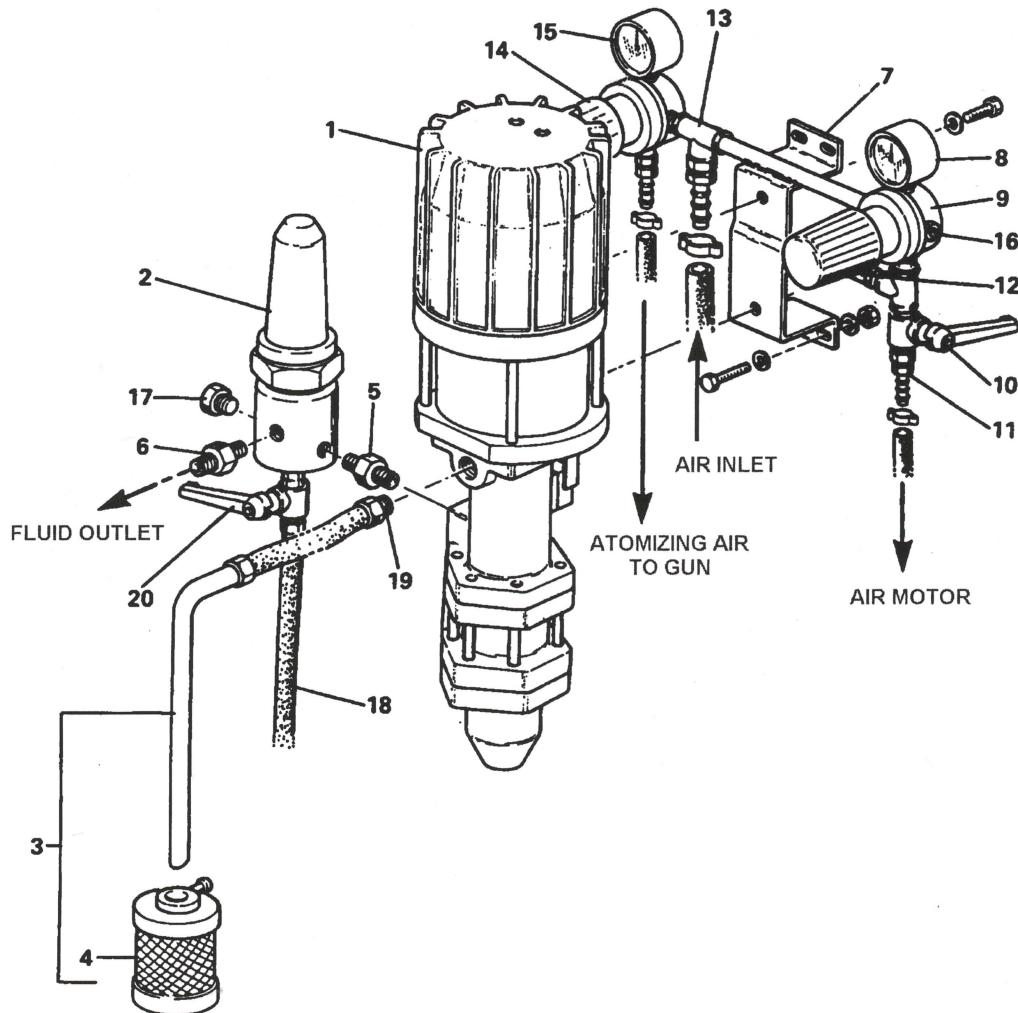




**STANDARD** Wall mounted - P.N° : 151.730.000 Cart mounted - P.N° : 151.730.100  
**STAINLESS STEEL** Wall-mounted - P.N° : 151.730.500 Cart mounted - P.N° : 151.730.600



Ind.	Part number	Description	Qty	Ind.	Part number	Description	Qty
1	---	17.A Pump	1	12	903.080.401	Relief valve, 6,5 bar / 94 PSI	1
2	155.580.000	Filter and accumulator	1	13	904.303.002	Tee, F 1/4"	1
3	049.596.110	Suction rod (stainless steel) with strainer	1	14	016.380.000	Air regulator - 3,5 bar / 51 PSI (Grey knob)	1
4	149.591.400	Strainer with sleeve	1	15	910.011.404	Gauge 0-4 bar / 0-58 PSI	1
5	906.314.203	Fitting, 1/4" (Double male), stainless steel.	1	16	906.333.102	Plug, 1/4"	2
6	051.587.206	Fitting, 1/4 - 1/2 JIC (MM)	1	17	056.130.013	Plug, G 1/4"	1
7	044.910.121	Bracket, pump	1	18	049.596.000	Drain valve, stainless steel	1
8	910.011.402	Gauge 0-5 bar / 0-73 PSI	1	19	050.102.437	Connector, 1/2" - 26 x 125, stainless steel	1
9	016.370.000	Air regulator- 5 bar / 73 PSI (Red knob)	1	20	000.750.040	HP valve, 250 bar / 3625 PSI	1
10	050.070.205	Valve, 14x125 - 8x13 (MM)	1	--	<b>051.730.110</b>	<b>Cart</b>	<b>1</b>
11	050.230.602	Straight connector	1				