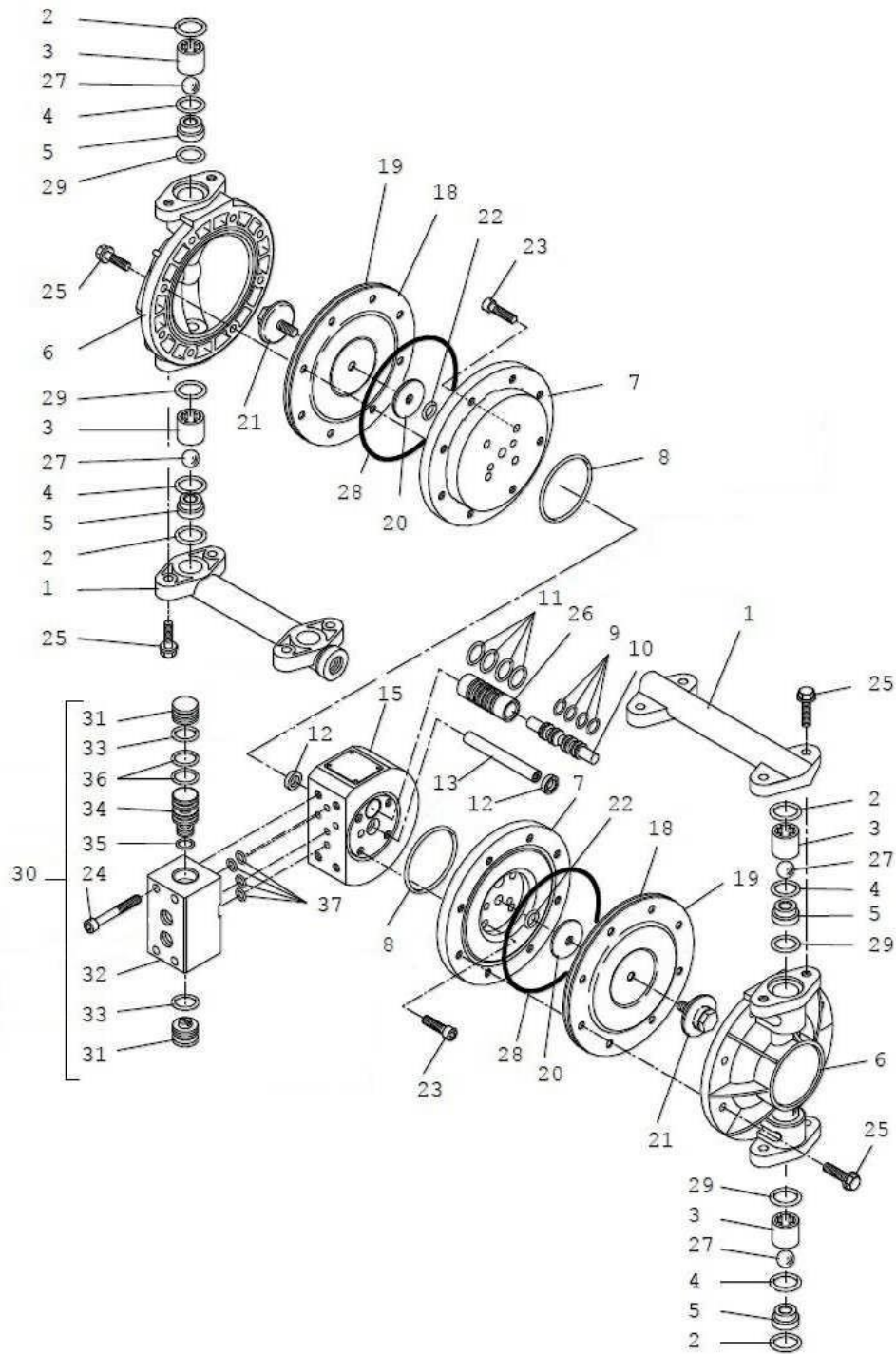


PIESE DE SCHIMB
POMPĂ CU MEMBRANĂ
model PMP 150 STANDARD

BARE DIAPHRAGM PUMP,
model PMP 150 STANDARD



Ind	Cod	Descriere ENG	Denumire RO	Cantitate necesara	U.M.
1	044 931 002	Collector	Colector	2	buc
2	150 040 315	Seal (pack of 10)	Garnitura filtru	4	buc
*3	144 931 093	Ball cage, plastic (pack of 4)	Suport bila pt. PMP 150	4	set 4 buc
4	150 040 316	Seal (pack of 10)	Garnitura 316	4	buc
5	044 931 004	Seat, stainless steel	Scaun inox	4	buc
6	044 931 005	Flange, fluid	Flansa fluid	2	buc
7	044 931 001	Flange, air motor	Flansa motor aer	2	buc
8	109 420 282	O Ring (pack of 10)	Garnitura 282	2	buc
9	109 130 410	Ring, R 8 (pack of 10)	Garnitura R8	4	buc
10	044 930 003	Pilot-spool	Tija motor aer	1	buc
11	109 420 283	O Ring (pack of 10)	Garnitura 283	4	buc
12	109 060 301	Seal (pack of 10)	Garnitura 301	2	buc
13	044 930 004	Coupling axis	Ax cuplare	1	buc
15	144 930 001	Body, air motor	Corp motor aer	1	buc
*17	144 931 090	Diaphragm kit	Kit membrana aer+fluid	1	buc
18	-	Diaphragm (air)	Diafragma aer	2	buc
19	-	Diaphragm (fluid), PTFE	Diafragma fluid	2	buc
28	109 420 272	Seal (pack of 10)	Garnitura	2	buc
20	044 930 007	Washer, air	Saiba aer	2	buc
21	044 931 008	Screw-washer, fluid	Surub sectiune fluid	2	buc
22	909 130 411	Ring, R 9	Garnitura R9	2	buc
23	933 151 277	Screw, CHc M 6 x 20	Surub CHC M6x20	8	buc
24	930 151 598	Screw, CHc M 6 x 60	Surub CHC M6x20	4	buc
25	933 231 332	Screw, M 6 x 25	Surub cu baza H M6x25	24	buc
26	044 930 005	Sleeve, pilot-spool	Manson ghidaj	1	buc
*27	144 849 901	Ball Ø16, stainless steel 440C(pack of 4)	Bila inox d.16 (set 4 buc)	4	set 4 buc
29	129 629 914	Seal (pack of 10)	Garnitura PTFE 20,3x2 mm	4	buc
*30	144 930 010	Distributeur d'air	Distribuitor aer	1	buc
31	044 930 013	Plug	Dop	2	buc
32	044 930 011	Body, distributor	Corp distribuitor aer	1	buc
33	129 400 902	O Ring (pack of 10)	Garnitura 902	2	buc
34	044 930 012	Air valve, spool	Bucsa distribuitor aer	1	buc
35	109 130 410	Ring, R 8 (pack of 10)	Garnitura R8	1	buc
36	144 519 915	Ring, R 12 (pack of 10)	Garnitura R12	2	buc
37	144 579 910	Ring, R 6a (pack of 10)	Garnitura R6a	4	buc
-	901 180 024	Ground with washer and screw (length : 5 m / 16.4 ft)	-	1	buc

KITURI DE GARNITURI

Cod	Descriere ENG	Denumire RO	Contine pozitiile din schema
144 931 091	Package of seals of the air motor + seals of the air distributor + Kluber petamo grease	Kit garnituri motor aer + garnituri distributie aer + tub vaselina	ind. 8(x2), 9(x4), 11(x4), 12(x2), 22(x2), 28(x2), 33(x2), 35, 36(x2), 37(x4)
144 931 092	Package of seals, fluid (PTFE seals)	Kit garnituri teflon fluid	ind. 2(x4), 4(x4), 29(x4)
144 931 094	Package of seals of the air distributor + Kluber petamo grease	Kit garnituri distribuitor aer + tub vaselina	ind. 33(x2),35, 36(x2), 37(x4)
144 931 095	Pochette de joints produit en EPDM	Kit garnituri sectiune fluid	ind. 2(x4), 4(x4), 29(x4)

Ind	#	Description	Denumire RO	Cantitate necesara
50	151 753 050	Air supply	Alimentare aer	1
*	016 370 500	☞ Air regulator, model 1/4 5.5 bar / 79.77 psi - knob (pantone 382 colour) (refer to doc. 573.288.040)	Regulator fluid 5.5 bar verde	2
*	910 011 402	☞ Gauge 0-10 bar / 0 -145 psi	Manometru vertical (fluid) 0- 10 bar	1

